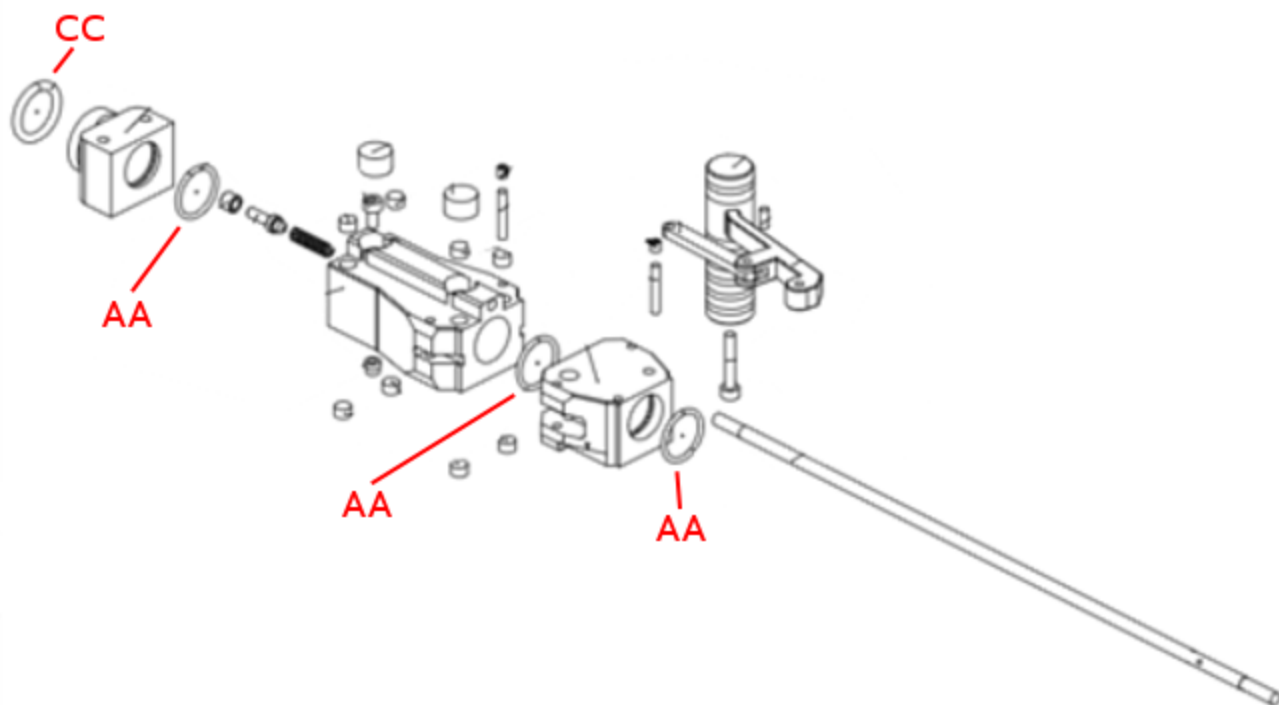
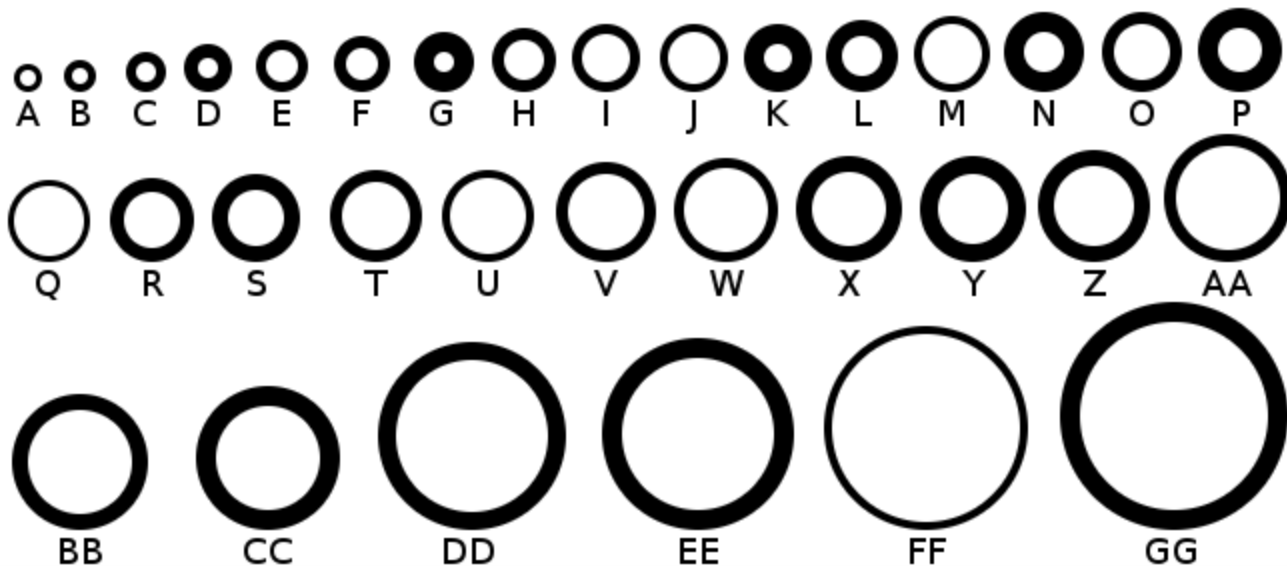




CaptainOring.com
FX Impact M3
O-Ring Replacement Guide

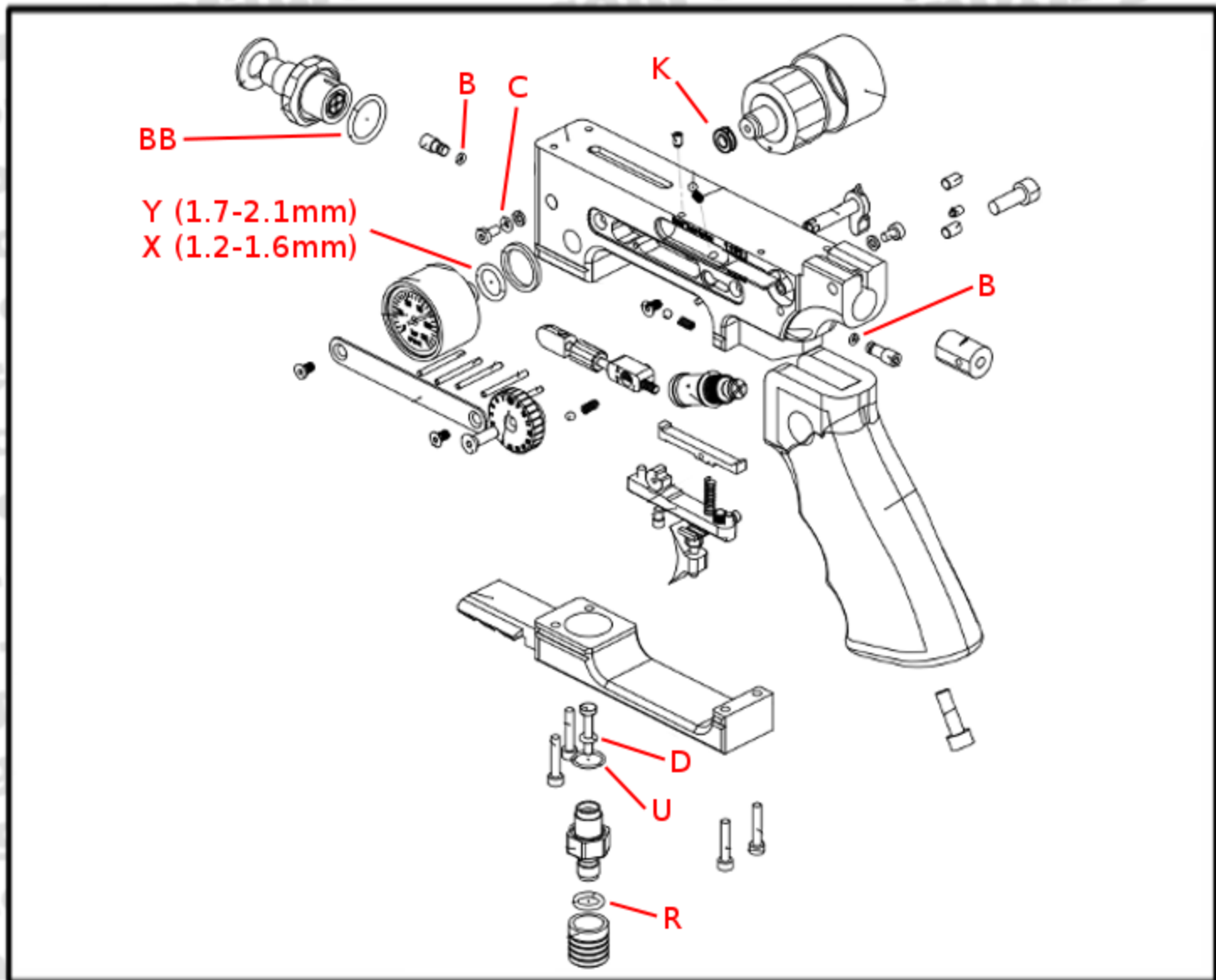
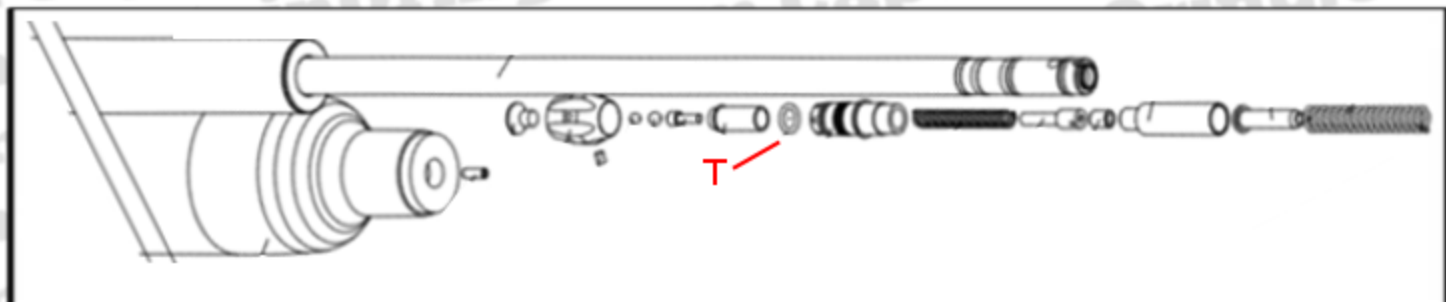
O-Ring Sizes

The line above should be 1" long
when printed at actual size.



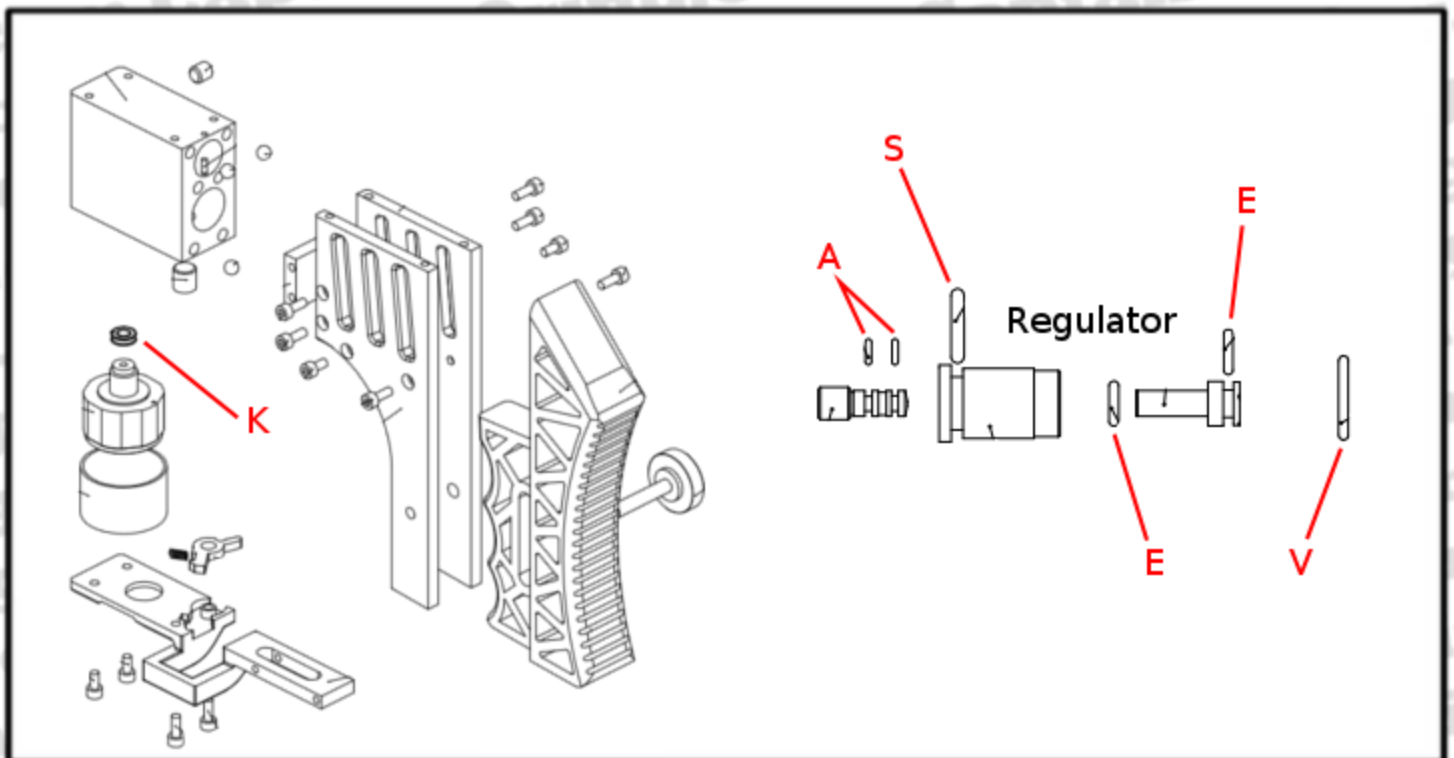
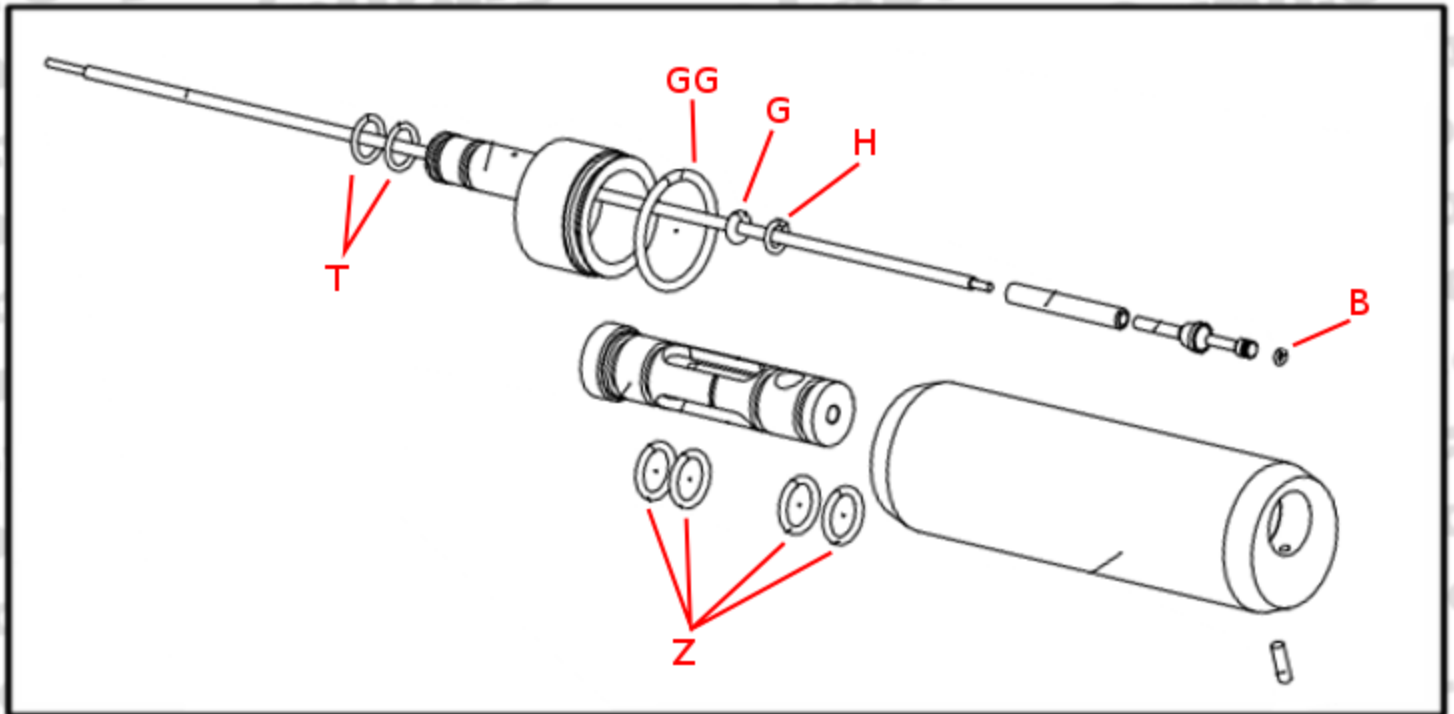


CaptainOring.com
FX Impact M3
O-Ring Replacement Guide





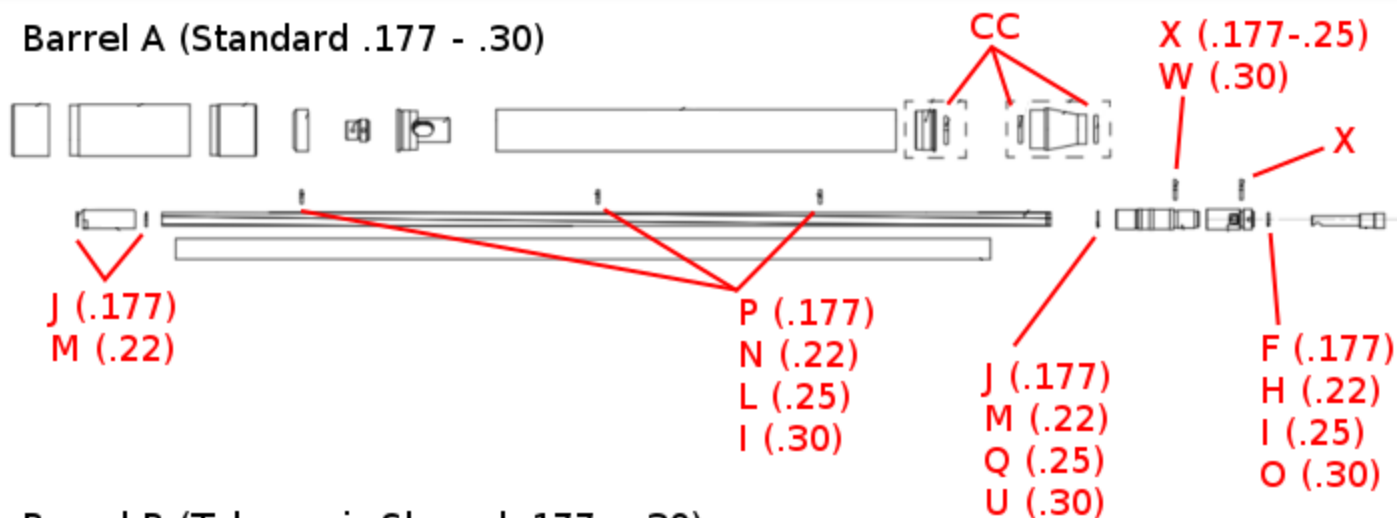
CaptainOring.com
FX Impact M3
O-Ring Replacement Guide



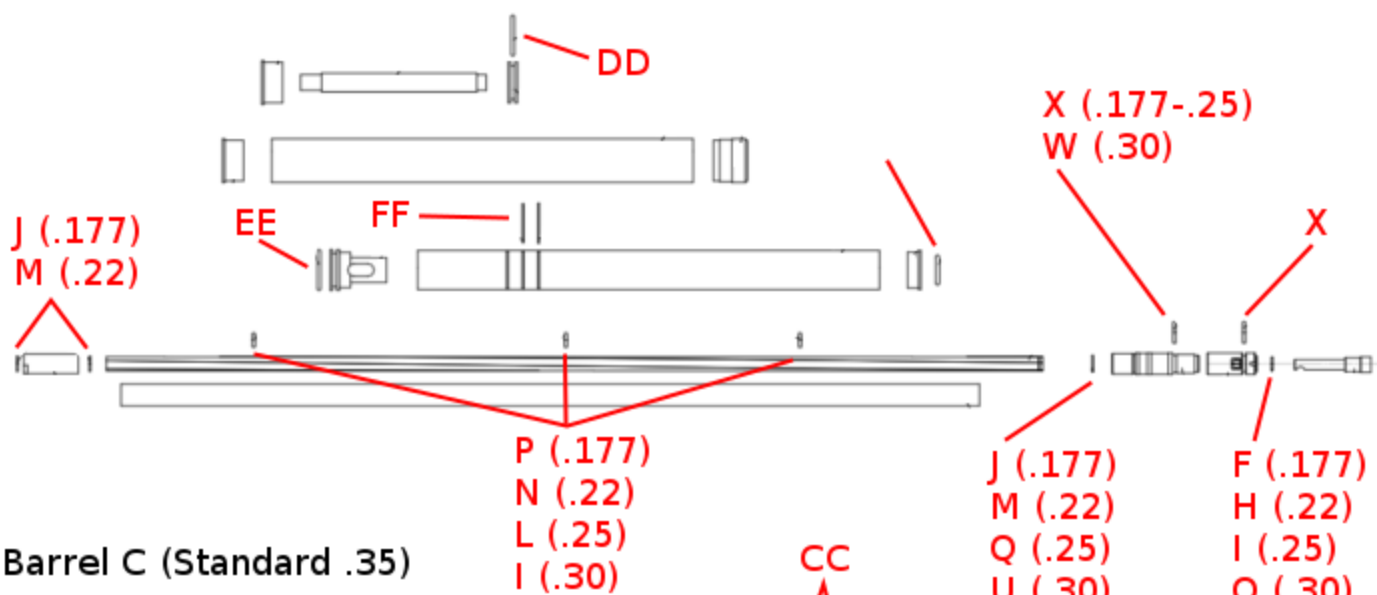


CaptainOring.com
FX Impact M3
O-Ring Replacement Guide

Barrel A (Standard .177 - .30)



Barrel B (Telescopic Shroud .177 - .30)



Barrel C (Standard .35)

